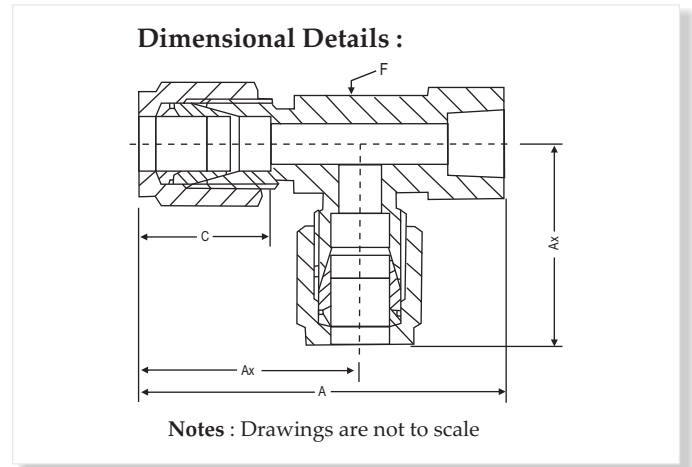


FEMALE RUN TEE



Dimension, in.

Tube OD	NPT Female Thread Size	Part Number	A	Ax	C	E	F
1/8	1/8	K2TFR2N	1.72	0.97	0.50	0.09	1/2
1/4	1/8	K4TFR2N	1.81	1.06	0.60	0.19	1/2
1/4	1/4	K4TFR4N	2.05	1.17	0.60	0.19	11/16
3/8	1/4	K6TFR4N	2.11	1.23	0.66	0.28	11/16
1/2	3/8	K8TFR6N	2.30	1.42	0.90	0.41	13/16
1/2	1/2	K8TFR8N	2.69	1.57	0.90	0.41	11/16
3/4	3/4	K12TFR12N	3.01	1.76	0.96	0.62	13/8
1	3/4	K16TFR12N	3.18	1.93	1.23	0.88	13/8
1	1	K16TFR16N	3.61	2.11	1.23	0.88	11/16

Dimension, mm

Tube OD	NPT Female Thread Size	Part Number	A	Ax	C	E	F in.
6	1/8	KM6TFR2N	46.0	27.0	15.3	4.8	1/2
6	1/4	KM6TFR4N	52.1	29.8	15.3	4.8	1/2
8	1/8	KM8TFR2N	48.9	29.9	16.2	6.4	5/8
8	1/4	KM8TFR4N	53.0	30.6	16.2	6.4	11/16
10	1/4	KM10TFR4N	55.9	33.5	17.2	7.9	13/16
12	1/4	KM12TFR4N	58.4	36.0	22.8	9.5	13/16
12	3/8	KM12TFR6N	58.4	36.0	22.8	10.3	13/16
16	1/2	KM16TFR8N	68.2	39.8	24.4	12.7	11/16

Note:

- A and C dimensions are typical finger-tight

Dimensions and specifications shown are approximate, may vary from time to time.

Ventil tube fittings are ordered by part numbers as listed in this catalogue and other sizes will be available on request.